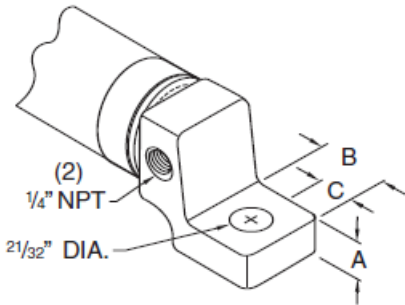


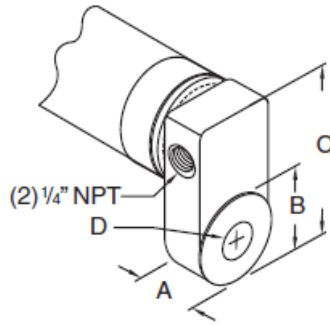
Water Cooled Cables

Terminal Types

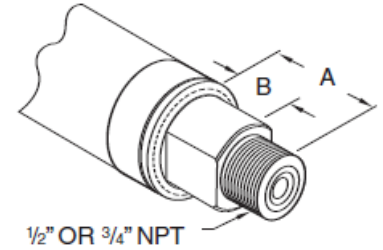
Every Watteredge water cooled jumper comes equipped with full-length filter tubes that insure free-flow water passage throughout the entire system. Extreme bending or kinking of the cable will not reduce the water flow.



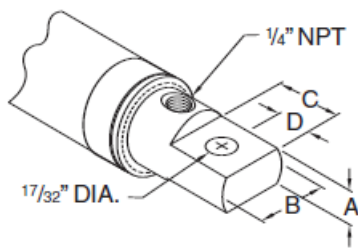
Type B			
MCM	A	B	C
350/400	9/16"	1 5/16"	9/16"
500/600	9/16"	1 5/16"	5/8"
750	5/8"	1 3/8"	11/16"
1000	3/4"	1 3/8"	11/16"



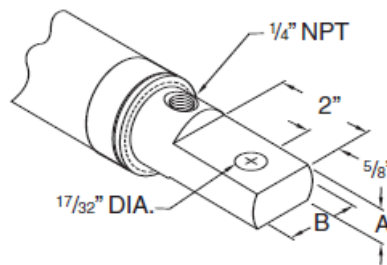
Type B-2				
MCM	A	B	C	D
350/400	11/16"	1 5/16"	2 11/16"	17/32"
500/600	13/16"	1 5/16"	2 7/8"	17/32"
750	13/16"	1 3/8"	3 1/8"	21/32"
1000	15/16"	1 7/8"	3 1/4"	21/31"



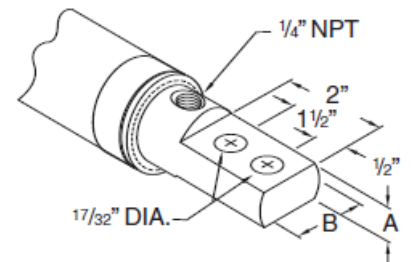
Type B-4		
MCM	A	B
350/400	1 3/8"	5/8"
500/600	1 3/4"	15/16"
750	1 7/8"	1 1/16"
1000	1 3/4"	15/16"



Type B-5				
MCM	A	B	C	D
350/400	5/8"	1 1/8"	1 1/4"	1/2"
500/600	5/8"	1 1/4"	1 3/8"	5/8"
750	5/8"	1 3/8"	1 3/8"	5/8"
1000	5/8"	1 5/8"	1 3/8"	5/8"



Type B-6		
MCM	A	B
350/400	5/8"	1 1/8"
500/600	5/8"	1 1/4"
750	5/8"	1 3/8"
1000	5/8"	1 5/8"

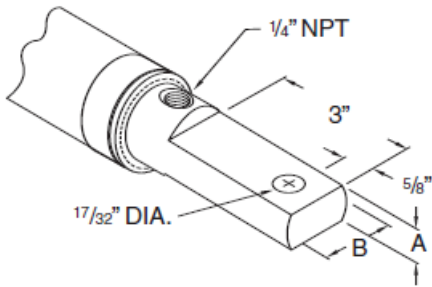


Type B-6 (2-Hole)		
MCM	A	B
350/400	9/16"	1 1/8"
500/600	5/8"	1 1/4"
750	5/8"	1 3/8"
1000	5/8"	1 5/8"

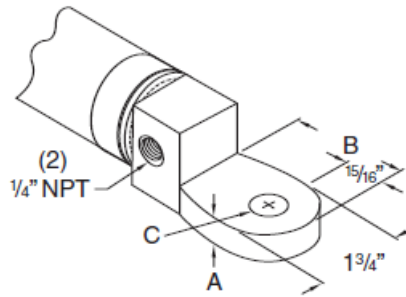


Water Cooled Cables

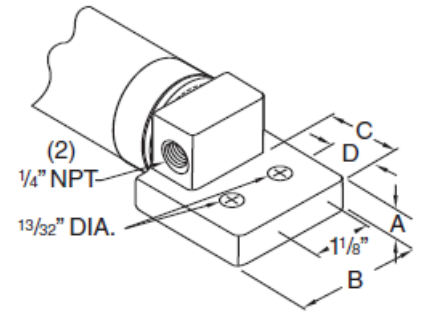
Terminal Types (continued)



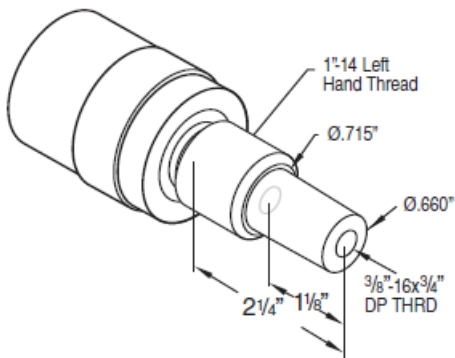
Type B-7		
MCM	A	B
350/400	5/8"	1 1/8"
500/600	5/8"	1 1/4"
750	5/8"	1 3/8"
1000	5/8"	1 5/8"



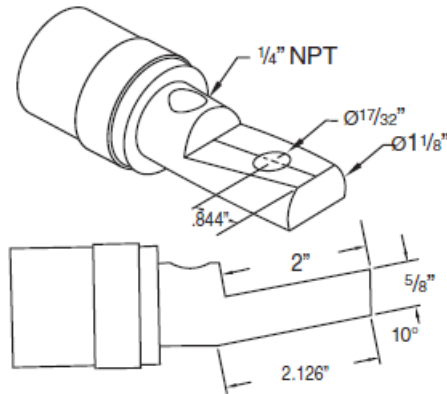
Type B-9			
MCM	A	B	C
350/400	9/16"	2 1/8"	17/32"
500/600	9/16"	2 1/8"	17/32"
750	9/16"	2 3/16"	21/32"
1000	5/8"	2 1/8"	21/32"



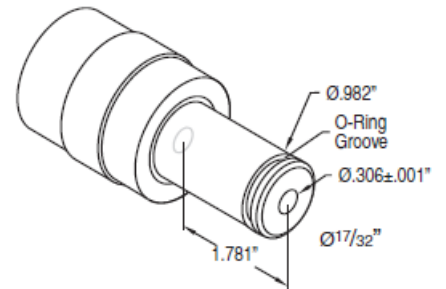
Type B-2				
MCM	A	B	C	D
350/400	3/8"	2"	1"	9/16"
500/600	3/8"	2"	1 1/8"	9/16"
750	5/8"	2 1/2"	1 1/2"	7/8"
1000	13/16"	2 1/2"	1 5/8"	7/8"



Type B-20	
MCM	
250 - 1000	



Type B-21	
MCM	
250 - 1000	



Type B-22	
MCM	
250-1000	

